

(19) World Intellectual Property Organization  
International Bureau



(43) International Publication Date  
27 February 2003 (27.02.2003)

PCT

(10) International Publication Number  
WO 03/015629 A1

- (51) International Patent Classification<sup>7</sup>: A61B 5/00
- (21) International Application Number: PCT/GB02/03841
- (22) International Filing Date: 20 August 2002 (20.08.2002)
- (25) Filing Language: English
- (26) Publication Language: English
- (30) Priority Data:  
60/313,833 20 August 2001 (20.08.2001) US
- (71) Applicant (for all designated States except US): INVERNESS MEDICAL LIMITED (GB/GB); Beechwood Park North, Inverness IV2 3ED (GB).

Latem (BE). SCOTT, David [GB/GB]; 68 Newland Mill, Witney, Oxfordshire OX28 3SZ (GB). MCALEER, Jerry [GB/GB]; 52 Nobles Close, Grove, Wantage, Oxfordshire OX12 0NR (GB).

- (74) Agents: MERCER, Christopher, Paul et al.; Carpmaels & Ransford, 43 Bloomsbury Square, London WC1A 2RA (GB).
- (81) Designated States (national): AE, AG, AL, AM, AT, AU, AZ, BA, BB, BG, BR, BY, BZ, CA, CH, CN, CO, CR, CU, CZ, DE, DK, DM, DZ, EC, EB, ES, FI, GB, GD, GE, GH, GM, HR, HU, ID, IL, IN, IS, JP, KE, KG, KP, KR, KZ, LC, LK, LR, LS, LT, LU, LV, MA, MD, MG, MK, MN, MW, MX, MZ, NO, NZ, OM, PH, PL, PT, RO, RU, SD, SE, SG, SI, SK, SL, TJ, TM, TN, TR, TT, TZ, UA, UG, US, UZ, VC, VN, YU, ZA, ZM, ZW.

- (72) Inventors; and
- (75) Inventors/Applicants (for US only): MOERMAN, Piet [BE/BE]; Ph. De Denterghemlaan 2, B-9831 St. Martens-

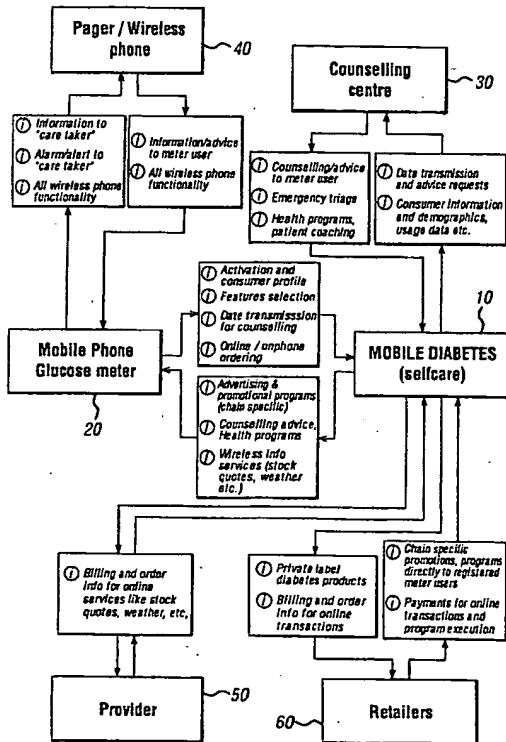
- (84) Designated States (regional): ARIPO patent (GH, GM, KE, LS, MW, MZ, SD, SL, SZ, TZ, UG, ZM, ZW), Eurasian patent (AM, AZ, BY, KG, KZ, MD, RU, TJ, TM),

[Continued on next page]

(54) Title: WIRELESS DIABETES MANAGEMENT DEVICES AND METHODS FOR USING THE SAME



WO 03/015629 A1



(57) Abstract: Advanced disease state management for diabetics through a wireless phone. A remote counselling service is accessible through the wireless communication feature of a wireless phone that interfaces to the diabetics' glucometer. A patient can send his gluco data directly to a counselling centre and receive a message back on how to proceed with treatment. Wireless technology can additionally be utilised to alert a caretaker that a hypoglycaemic value has been measured. The telemetry can then intervene to secure help. The telemetry can also be used to measure compliance with a prescribed disease management regime. The disease management system is also suitable for targeted marketing of supplies to diabetic patients.



European patent (AT, BE, BG, CH, CY, CZ, DE, DK, EE, ES, FI, FR, GB, GR, IE, IT, LU, MC, NL, PT, SE, SK, TR), OAPI patent (BF, BJ, CF, CG, CI, CM, GA, GN, GQ, GW, ML, MR, NE, SN, TD, TG).

— *before the expiration of the time limit for amending the claims and to be republished in the event of receipt of amendments*

**Published:**

— *with international search report*

*For two-letter codes and other abbreviations, refer to the "Guidance Notes on Codes and Abbreviations" appearing at the beginning of each regular issue of the PCT Gazette.*

## WIRELESS DIABETES MANAGEMENT DEVICES AND METHODS FOR USING THE SAME

### Field of the Invention

5           The present invention relates to devices for remote disease state management and, in particular, for the management of diabetes using wireless reporting devices in conjunction with an automated monitoring centre.

### Background of the Invention

10           Diabetes mellitus is a serious, life-long disorder that is, as yet, incurable. Each year, between about 500,000 and about 700,000 people are diagnosed with diabetes, one of the leading causes of death and disability in the United States. In 1993, there were approximately eight million diagnosed cases of diabetes mellitus in the United States and the number has most likely grown to about 10 million currently diagnosed cases. This  
15 number represents only those people *diagnosed* with diabetes mellitus, estimated to be less than half the number of actual diabetics in the United States.

          The effects from diabetes on the health care system are startling. In the U.S., the cost of hospitalisations, supplies, lost work, disability payments and premature deaths from  
20 diabetes reached more than \$92 billion in 1992 alone. In addition, the long-term complications associated with diabetes, particularly when poorly managed, can lead to serious financial and human consequences. Serious diabetes-related complications, including cardiovascular disease, kidney disease, nerve damage, blindness, circulatory problems (which can lead to amputations), stroke, heart disease and pregnancy  
25 complications, are estimated to cost more than \$24 billion annually. Some health maintenance organisations estimate that while only 3.1% of their covered patients have diabetes, diabetic patients account for over 15% of their total healthcare costs.

          Research, including the Diabetes Control and Complications Trial (DCCT)  
30 conducted by the National Institute of Health in 1993, has shown that if people with diabetes closely monitor and control their blood glucose levels, they will enjoy significant health benefits. Consistent management of diabetes, which includes diet, exercise and

aggressive monitoring and control of blood glucose levels, can lessen the risk of serious complications and potentially reduce some diabetes-related conditions by more than half.

The DCCT study was the largest, most comprehensive diabetes study ever  
5 conducted, involving 1,441 volunteers with Type I diabetes and managed through 29  
medical centres across the United States and Canada. The study compared the effects and  
results of two treatment regimens: standard therapy and intensive control. According to the  
standard therapy regimen, a diabetic follows a fixed insulin schedule independent of  
glucose levels or dietary intake. The intensive control regimen requires diabetics to  
10 actively monitor glucose levels and other disease-impacting factors and make insulin-  
dosing decisions based on actual glucose test results and dietary intakes. The DCCT study  
revealed that active management of diabetes according to the intensive control regimen  
could, among other benefits, reduce eye disease by up to 76%, reduce kidney disease by up  
to 50% and reduce nerve disease by up to 60%. Strategies for diabetes management  
15 recommended by DCCT researchers include the development and implementation of  
individualised care management programs, with emphasis on in-depth patient education.

The intensive control treatment regimen mimics the functionality of a normal,  
healthy pancreas more closely, and provides significant medical benefits to diabetics who  
20 follow the intensive control treatment regimen. Consequently, since the DCCT trial results,  
a large number of the diabetes community in the United States has switched to the  
intensive control treatment regimen. However, for the majority of the diabetics, this new  
regimen is a real challenge and is difficult to follow. Rather than following a  
straightforward and fixed insulin schedule prescribed by a health care professional, the  
25 intensive control treatment regimen requires complex decisions on the part of the diabetic  
patient in response to a number of variables, including stress, exercise, food intake, insulin,  
adrenaline and other hormones. A diabetic patient must personally decide on an  
appropriate treatment in real-time and in response to changing variables. Under the  
intensive control treatment regimen, a diabetic individual is required to test blood glucose  
30 levels frequently. However, the pain, discomfort, cost and time involved often deter  
patients from performing frequent testing. In addition, many health plan providers do not  
have the time, resources, funds or expertise to implement appropriate disease management  
programs to assist diabetic patients. There is a distinctive need for assisting a diabetic in

making therapeutic decisions and encouraging frequent testing and monitoring of blood glucose levels. Without assistance in the decision making process, the new intensive control treatment regimen may fail to deliver its potential benefits.

5           Furthermore, the new intensive control treatment regimen necessitates more tightly controlled glucose levels, which inherently cause an increased risk of more frequent hypoglycaemic episodes. A very real issue facing many diabetics is the fear and possibility of falling into a hypoglycaemic coma, or experiencing other diabetic emergencies, without external assistance. Likewise, the fear of a diabetic emergency in a child or other  
10 dependent confronts many parents and guardians of diabetic individuals. The possibility of a diabetic emergency hinders both the diabetic individual and the guardian from leading active, independent lifestyles. A system which would assist with these challenges would be invaluable to the motivated diabetic audience.

#### 15 **Summary of the Invention**

The present invention provides a system for monitoring and assisting in the treatment of a patient, independent of the location of the patient, comprising: a monitoring centre; a meter for measuring the level of an analyte in said patient; and a communications device adapted for communication with said monitoring centre and said meter, wherein  
20 said communications device is adapted to transmit information related to said analyte level in said patient to said monitoring centre.

In a preferred embodiment, the patient is a diabetic patient and the meter is a glucose meter. The communications device can be either a wireless communications  
25 device or a communications device that transmits information via the internet.

In a preferred embodiment the wireless communications device can access a remote counselling centre. A user can send his glucose data directly to the counselling centre and receive feedback from the centre regarding an appropriate treatment in response to the  
30 glucose data. The wireless communication feature may also be utilised to communicate with and/or alert a caretaker (parent of a diabetic child, the school nurse or the neighbour of an elderly diabetic) that a hypoglycaemic value has been recorded on the dependent's monitor. The caretaker can then intervene to secure help. The telemetry of the present

invention is also suitable for measuring compliance with a prescribed disease management regime. For example, the caretaker can check whether a child performed a required glucose test and the actual results of the glucose test.

5           The communications device of the present invention provides constant and convenient assistance independent of the location of the user. In addition to assisting in making complex decisions and clarifying glucose readings, the present invention encourages diabetic patients to adhere to an intensive treatment plan and significantly improves the health of a user. The present invention further provides a safeguard against  
10 diabetic emergencies.

          The present invention may, in particular, provide assistance to a diabetic individual through a wireless phone or other hand-held communications device. The disease state management services offered by the present invention may include, in various  
15 embodiments, diabetes counselling, emergency services, diabetes supervision, supply ordering, diabetes news, diabetes watch for health care providers and patient location information via GPS.

          The present invention will be discussed below in connection with a wireless  
20 telephone, although those of ordinary skill will recognise that other types of personal communications devices can also be used.

          For example, the user may access the management services offered by the present invention using any one of the following devices: a wireless application protocol (WAP)  
25 compliant mobile phone, a wireless connected personal digital assistant (PDA) or a laptop or desktop PC. Any compatible device must have a port (e.g. RS232, IR, USB, bluetooth or other external port) for data connectivity connection to a glucose meter.

          A compatible WAP compliant mobile phone would need to have a minibrowser  
30 (for example UP version 1.2 or greater). The preferred phone may be configured to operate on a mobile network using Code Division Multiple Access (CDMA). Alternatively, the phone may operate on a network using GSM. A compatible PC would need either wireless

ability or internet access. Wireless data transfer is preferred although data could be transferred to the database via a PC.

Any of the devices mentioned above can be used in conjunction with any data port  
5 or interface capable glucose meter. Alternatively, a proprietary "clip-on" glucose meter  
may be used in conjunction with a WAP compliant mobile or a wireless PDA. Any  
compatible mobile phone or PDA may utilise a WAP Gateway to access the internet. This  
would allow the applications (i.e. glucose interpretation, e-mail, paging and other  
10 applications) to be device independent. The system may also allow for "push" capability,  
meaning that an e-mail could be sent which has an active URL embedded in the message.  
A compatible laptop or desktop PC may access the internet by its normal dial-up method.  
To assure security of data and commercial information, the mobile phone or PDA may  
utilise Wireless Transport Layer Security (WTLS) whilst the laptop or desktop may utilise  
Transport Layer Security (TLS) (also known as Secure Socket Layer (SSL)).

15

#### **Brief Description of the Drawings**

Figure 1 is a diagram illustrating a wireless diabetes management system according  
to one embodiment of the present invention.

Figure 2 is a diagram illustrating the data flow among components of a wireless  
20 diabetes management system according to another embodiment.

The foregoing and other objects, features and advantages of the invention will be  
apparent from the following description and from the accompanying drawings.

#### **25 Detailed Description of the Invention**

The present invention will be described below relative to an illustrative  
embodiment. Those skilled in the art will appreciate that the present invention may be  
implemented in a number of different applications and embodiments and is not specifically  
limited in its application to the particular embodiment depicted herein.

30

Figure 1 depicts a wireless diabetes management system to provide assistance to a  
diabetic patient independent of the location of the diabetic patient. The diabetes  
management system of the illustrative embodiment includes an automated diabetes

monitoring centre (10) that receives data from a remote glucose meter operating in conjunction with a mobile wireless telephone (20). According to one aspect of the present invention, the glucose meter connects to and transfers data to a patient's wireless phone (20), which then transfers blood glucose measurements and/or other diabetes-related information to the diabetes monitoring centre (10). According to another aspect, the glucose measurements and other diabetes-related information can also be passed to the phone or pager of a caretaker (40), who can then provide assistance or advice to the diabetic patient. In addition to providing diabetes assistance, the wireless phone (20) may be utilised for standard voice communication between the caretaker and the user. Data received from the glucose meter via the wireless phone (20) is processed by the automated monitoring centre (10) and may be passed as needed to a counselling centre (30), a provider (50) and/or a retailer (60). In response, the counselling centre (30), the provider (50) and/or the retailer (60) can return data to the automated monitoring centre (10) which can then be passed to the patient via the remote wireless phone (20). If the patient requests advice regarding a blood glucose measurement, the counselling centre (30) performs an analysis of the data provided by the meter through the phone (20) and provides an appropriate treatment response to the meter user. If the data reveals a life-threatening blood glucose level or other serious condition, the counselling centre (30) may contact emergency services to aid the patient. The monitoring centre (10) may further provide health programs and patient coaching to the diabetic patient to assist in the management of diabetes. The provider (50) may provide on-phone information, such as e-mail, weather and stock quotes, to the patient by means of the wireless phone (20). The retailer (60) may provide diabetes products, information and advertisements to the diabetic patient via the wireless phone (20).

25

Figure 2 illustrates the flow of data between the various components of the diabetes management system according to the illustrative embodiment of the invention. In the depicted embodiment, the automated monitoring centre (10) comprises a database (11), which receives data from and sends information to the wireless diabetes phone (20). The wireless diabetes phone (20) transmits and receives information from a glucose meter (20a) which measures and records glucose levels in the patient. The wireless diabetes phone also operates as a regular wireless telephone and may include Web Application Protocol (WAP) capabilities to make the phone compatible with certain "text" web sites using a WAP



browser. The wireless diabetes phone may include a feature to automatically contact emergency services, illustrated as an ambulance (140), in an emergency situation, such as a life-threatening glucose level in the patient. The automated monitoring centre (10) may pass data as needed between the wireless diabetes phone (20) and the counselling centre  
5 (30), the caretaker (40) or an additional party (170). The additional party (170) may be a health care provider, a managed care system or any person with whom the user wishes to communicate. The automated monitoring centre (10) may further pass data as needed between the wireless diabetes phone (20) and a retail store (180), an advertiser (190) or a health program (200) included in the automated monitoring centre (10). The automated  
10 monitoring centre (10) may also be accessed over a data network, such as the Internet, by a personal computer (110).

According to the illustrative embodiment, the wireless phone (20) utilises real-time data streams to interact with the glucose meter (20a). The wireless diabetes phone (20)  
15 may communicate with the caretaker (40), additional party (170), the monitoring centre database (11) and the counselling centre (30) through voice communication and/or e-mail communication. The wireless diabetes phone (20) may directly contact an emergency service (140) via voice communication in case of an urgent situation. The counselling centre (30) may also contact emergency services via voice communication, if necessary.  
20 The health program (200) may provide coaching and other instructions to the user via voice or e-mail communication. Advertising may be sent to the wireless diabetes phone (20) via the automated monitoring centre (10) using e-mail communication. Secured data transfer may be utilised to transmit information between the monitoring centre database (11) and the counselling centre (30), the retail store (180) and the personal computer (110)  
25 of the diabetic patient or other party.

The features and components of the diabetes management system will be described in detail below.

### 30 *The Wireless Diabetes Phone*

The diabetes management device and system of the illustrative embodiment of the present invention comprises a glucose meter (20a) which acquires wireless communication by being attached to a digital WAP-enabled wireless phone (20). According to the

illustrative embodiment, the wireless diabetes phone (20) is provided with a connector cable to ensure easy connection and disconnection with the glucose meter (20a). According to alternate embodiments, the glucose meter comprises a temporary or permanent attachment to a data port on the phone. The glucose meter (20a) may comprise a clip-on  
5 module configured to attach directly to the wireless diabetes phone (20), or may be internally built into the phone housing. The clip-on module may comprise a strip connector and an Application Specific Integrated Circuit (ASIC) for signal processing. Alternatively, the phone may be configured to attach directly to any glucose meter. The glucose meter (20a) may include data collection, storage and displaying capabilities to measure and  
10 record diabetes-related information, such as glucose data, measured insulin dosages, exercise, dietary intake, blood pressure and heart rate readings. The wireless diabetes phone accepts the glucose, diet and insulin data stored in the glucose meter and transmits the data to the monitoring centre database (11). The wireless diabetes phone may gather additional information not provided by the glucose meter through direct input into the  
15 phone using the phone's display and keypad. For example, the user can specify, during the activation process, which meter he is using. The wireless diabetes phone may then receive the appropriate interpretation protocol for the user's meter. The display may show information, such as the time, date, glucose test result, historical results, graphical representations of historical values, and so on. The wireless diabetes phone menus may  
20 also be customised to show features selected by the user.

The wireless communication of the present invention has the additional benefit of being bi-directional. Messages sent using the wireless diabetes phone (20) can have different functions, including standard voice communication. The system may not be  
25 restricted to communicating strictly disease-related issues. The combined phone-meter can be used as a standard wireless phone, as well as a receiver and sender of web information (like weather, stock quotes and e-mail).

#### *Emergency Services*

30 The wireless diabetes phone (20) may include an alarm feature that is triggered if a dangerous blood glucose level is measured by the associated glucose meter (20a). If a glucose reading indicates that the user is in need of emergency assistance, a pre-dial 911 "Emergency Care" function on the wireless diabetes phone (20a) of the present invention

can be used to summon emergency services (140). When a measured glucose level exceeds a prescribed range, the wireless diabetes phone triggers an alarm and automatically summons help for the diabetic patient. Additionally, a neighbour, parent or other caretaker (40) can be alerted that the user needs help when the "Emergency Care" function is  
5 selected. These services can be used for calling help where assistance from the 911 services is not required. The caretaker can then call the patient or start organising help to intervene. The caretaker should have a device capable of receiving voice or text files, so that the alert can reach the caretaker as a pager or phone message. For example, an auto-dial voice message can be sent to the caretaker's phone, informing the caretaker that the  
10 user needs help. A pre-set text message can also be sent at the same time. The phone or pager number of the caretaker as well as the pre-set text file for the message may have been entered during activation of the phone through the website. In addition, the caretaker may access the central database to review the dependent's last glucose test results to provide further assistance in an emergency situation. The user may select an emergency  
15 care option in which their glucose data are sent to the data base. The data base can then send the latest glucose data and any other information to the caretaker as a text file. The caretaker would then be able to contact his dependent and/or log on to his dependent's website to review the data. The counselling centre (30) may also summon emergency services if the counsellor determines that the patient is in danger.

20

#### ***Diabetes Professional Watch***

The wireless diabetes phone (20) of the illustrative embodiment of the present invention provides a monitoring service offered by the counselling centre (30) or the person's health care provider. Each time a dangerous trend or value is generated on the  
25 glucose meter (20a), the wireless diabetes phone (20) of the present invention raises a warning and automatically transmits a message, detailing the latest glucose, insulin and diet data, to the counselling centre (30) or health care professional. The monitoring service allows the counselling centre or the health care professional to intervene when necessary. The wireless diabetes phone or glucose meter may be programmed to automatically  
30 recognise the dangerous trend or value. Patient measurements may be compared to programmed parameters in the telephone or glucometer to determine when a dangerous condition exists.

### *Patient Location via GPS*

According to yet another aspect, the wireless diabetes phone may further incorporate a GPS (global positioning satellite) system to allow the 911 services or other third parties to precisely locate the diabetic individual in case of an emergency. The GPS system provides an additional safeguard for a diabetic who may become disoriented or lost, for example if the diabetic has become hypoglycaemic.

### *Central Diabetes Monitoring Centre*

The monitoring centre database (11) controls the disease related information flow to and from the wireless diabetes phone (20). The database, part of the remote diabetes monitoring centre (10), registers users of the disease state management device and system of the present invention and records, manages and organises a variety of individual patient information (for example: glucose readings, reports and patient profiles, order details and credit card information). The database can also be used to distribute wireless diabetes phones to diabetics. The database serves to route messages between diabetics and third parties that provide the described diabetic services (remote counselling, on-line shopping, retailing, etc). According to the illustrative embodiment, the database includes a web site, which performs a variety of functions. The web site initially allows diabetic patients to register and activate the wireless diabetes phone (20). The web site can also be used to promote the diabetes services and to collect important information for establishing the communication between the user's glucose meter and his/her mobile phone. Once a user has been registered, the web site records and stores information about the user, such as glucose and therapy data, personal data, information regarding the patient's insurance plan, address, treatment regime, credit card details, health care professional details and so on. The site also allows users to access and change their information once it has been entered. A registered user of the web site, such as the diabetic patient, a caretaker, a managed care provider or a health care professional, can log on to the web site and access the services and information provided. For example, a health care professional can log on to access patient data, monitor a patient's diabetes management and formulate advice for the patient. This advice can then be sent directly to the wireless phone of the patient.

Such a website may reside on a dedicated server, behind a host-managed firewall. The database and applications could reside on a separate secure server. The user could be

handed over from the web server to the database/application server when requesting information, accessing personal information or ordering online. To ensure the highest level of transaction security, all communication could be through a Virtual Private Network (VPN) connection. Furthermore, the website could be secured with an SDS ID token based authentication system.

The website could consist of an HTML user interface with the site constructed with the Coldfusion (CFML) programming environment. The use of the Coldfusion programming environment would allow for access to the database, scalability and the use of COBRA with the applications server. The applications server could contain the data interpretation and related programs as well as a Cybercash application (a commerce transaction program). An Oracle database could be partitioned on the applications server.

#### *Diabetes counselling*

A counselling centre (30) may provide constant diabetes advice for the user of the wireless diabetes phone 24 hours a day, 7 days a week, independent of the location of the patient. The counselling centre (30) comprises a network of centres staffed with diabetes educators who are trained and competent in interpreting diabetes data and advising patients how to deal with their disease and insulin dosage. If a user desires assistance with a diabetes-related matter, he may access the diabetes counselling centre through the wireless diabetes phone (20). The user could send glucose and other diabetes information via the wireless diabetes phone (20) to the counselling centre (30), where a trained counsellor could obtain the most recent glucose results from the glucose meter through the phone and, if available, insulin and dietary intake together with a question from the user. The counsellor could calculate an appropriate treatment response and assists the user to interpret his data and make the correct decisions regarding his treatment, *i.e.* insulin dosage or glucose intake. The patient may select between two assistance modes provided by the counselling centre (30). The user may then be prompted to send the data.

The first mode, automated data interpretation, comprises a text message that is sent to the wireless diabetes phone (20) of the patient. When using the first mode of the counselling service, the glucose meter must be in communication with the phone so that the phone can send an e-mail to the data base which in turn identifies the correct data-

retrieval software package for the meter of the user. This software package may be sent to the user's phone and used to access the data from the glucose meter. These data may then be sent to the database, and an updated record of the user's glucose results may be sent to a counsellor, along with a question selected by the phone user. The data could then be  
5 analysed by automated data interpretation utilising proprietary software and assistance could be posted on the user's website or sent as an e-mail message to the user's phone.

According to the second mode, voice counselling, the counsellor reviews the data, then calls the patient and provides interactive verbal assistance. Automated data  
10 interpretation utilising proprietary software could be used as a screen to determine when a patient needs immediate counsellor intervention. In the case of an obvious emergency, the counsellor may decide to call the 911 dispatch centre.

As an alternative to sending the data to the counselling centre, the patient may send  
15 the data to a health care professional in order to allow his/her physician to stay in full control of his/her therapy.

#### ***Diabetes Supervision***

Consulting the database allows a caretaker or health care professional to view the  
20 glucose results and verify the frequency of testing of the patient. Consultation may occur on demand of the caretaker (40) or health care professional, who could use a computer to view the patient's records stored in the database (11). For example, this feature may be useful for a parent interested in monitoring the management activity of a child at summer  
camp.

25 According to one embodiment, the health care professional or managed care provider can supervise the testing patterns and test results of patients and reward patients for frequent testing and/or maintenance of blood glucose levels within a prescribed range for a predetermined period of time.

30

#### ***Diabetes News***

According to another aspect, the diabetes management system of the present invention also provides a diabetes news service to users through the wireless diabetes

phone. This service provides the latest diabetes news to keep patients informed about developments and risks associated with the disease.

#### *On-phone Ordering of Supplies*

5           According to another aspect of the invention, the wireless diabetes phone (20) may be utilised for convenient ordering of diabetic products and third party billing for the diabetic products. During a sign-up process for the wireless diabetes phone (20), a patient can enter the products he or she most often purchases for his or her diabetes. The wireless diabetes phone (20) may include an "order on-phone" menu on the display screen, which  
10 lists these products. As can be seen in figure 2, upon selecting the items he or she wants to purchase from the phone screen, a wireless order may be sent to the central monitoring centre (10), such as MobileDiabetes™, which then forwards the order as a secured data transfer to the retail chain (180) or supplier identified by the user for fulfilment. The retailer (180) may send back confirmation of the order reception to the database, which  
15 may send a confirmation e-mail back to the wireless diabetes phone (20) of the user. The billing and shipping information may be stored in the database for the monitoring centre (10), which would facilitate the ordering process. In addition, the database may contain patient and insurance information, which would allow automatic and direct third party billing for the on-phone order.

20

#### *Retailers*

The wireless diabetes phone (20) and management system of the present invention provides unique advertising opportunities to retailers (60), as the messages sent over the wireless diabetes phone (20) may be targeted in nature. For example, commercial messages  
25 (190) from medical device suppliers can be sent out to the users of the phone, who comprise a very specific group of active measuring diabetics. The central database (11) records information regarding the store and/or chain in which the glucose meter (20a) was purchased and can target store and chain specific messages to these diabetics. The usage and demographic data compiled by the database can be of great value to a glucose meter  
30 company or other diabetic supplier to direct their marketing and sales campaigns toward a particular population. Targeted advertising, specific to diabetics of a certain age and sex, shopping in a certain chain, testing at least a certain number of times a day, can be of great value to all suppliers in the diabetes market. For example, the message: "This week store

brand syringes are 30% off" can be easily sent to all store or chain customers having the wireless diabetes phone (20) of the present invention. The targeted advertising provides direct, customised ad-messages, which reach customers in real time. Messages can be tailored to a user's profile information and may be provided to the user through e-mail or  
5 incorporated into any message sent to the user from the database. For example, a message could be attached to a message sent by the counselling centre or the order on-phone service. A message confirming that the advertising message has been opened or read could then be sent back to the monitoring centre (10). As an example of the service, the targeted advertising may be utilised to reward users of a particular brand with a discount or to  
10 promote a new product of the brand most used by the user of the wireless diabetes phone. Alternatively, the targeted advertising messages may be sent to users of a competitor's product to convert the users to a particular brand of products.

#### *Health Programs*

15 In addition to serving as a data gathering system from the glucose meter (20a) to the database (11), the wireless diabetes phone (20) may serve as a communication, motivation and reminder tool for the diabetes patient. The wireless diabetes phone (20) may be utilised to provide patient coaching and motivational or compliance programs (200) encouraging patients to closely manage their diabetes. The monitoring centre (10)  
20 provides the health improvement programs (200) based on personal coaching to improve the diabetes management of the diabetic patients using the wireless diabetes phone (20). For example, the health program may provide dietary or exercise-related advice, information, reminders and motivation to the user. The health programs may be e-mail based programs where automatic replies from the database are sent to the user to provide  
25 prompt feedback that the data have been received by the database. In order to upgrade the programming of the phone to a more advanced data-gathering system, software could be downloaded from the website.

Among other features provided by the wireless diabetes phone (20) and glucose  
30 meter (20a) can be a reminder function to alert the patient or a caretaker that a measurement or an administration of medication is needed. The wireless diabetes phone (20) may also provide other diabetes-related messages and reminders. For example, if the database information or the insurer reveals that a year has passed since the patient's last



eye examination, the wireless diabetes phone (20) may be utilised to send reminders to the diabetic patient to have an eye examination, an issue that is particularly important for diabetics. The phone may also be used to provide a message to the user to encourage them to check the web-site for updates or personalised messages.

5

The wireless diabetes phone and/or glucose meter stores measurements taken from the diabetic patient until the measurements are transmitted to a remote computer, cleared by a user or cleared remotely by an operator of the automated monitoring centre (10). The wireless diabetes phone can transmit information to the remote computer at a  
10 predetermined time or when polled by the patient or other user of the diabetes management system. The automated monitoring centre (10) can initiate contact with the patient by either e-mail or voice communication at a predetermined time or when a measurement is outside a predetermined range, indicating a potential problem. The automated monitoring centre (10) directly polls the wireless diabetes phone (20) for measurements at regular intervals or  
15 when data are not received from the patient before a predetermined time. According to one practice of the invention, the automated monitoring centre (10) initiates an emergency procedure when a measurement is not timely received and the patient cannot be contacted. The central database (11) could also be used to report a patient's progress to their insurer.

20 The diabetes management system and diabetes wireless phone of the present invention provide significant benefits and advantages to diabetic individuals. The present invention provides a diabetic patient with constant access to professional counselling and assistance whenever it is needed, that is when a problem is imminent. The assistance can be provided independent of the location of the patient at an economically justifiable cost.  
25 Through the use of the wireless diabetes phone, a diabetic patient can quickly, automatically and accurately transfer data from a glucose meter to a professional counsellor. The phone increases the mobility, self-efficacy and independence of the patient while helping the patient to improve control over diabetic symptoms. The present invention promotes an improved health status and quality of life by reducing short-term  
30 complications (e.g. hypo- and hyper- glycaemia) and long-term complications associated with diabetes. The present invention further facilitates continuity of care through education and empowerment, reduces anxiety related to diabetic symptoms, resolves uncertainty about insulin dosage decisions and promotes an independent lifestyle. Through

implementation of the system of the present invention, diabetes-related hospitalisations, emergency room visits and associated costs for both short and long term complications are reduced. Furthermore, the present invention facilitates the overall management of the disease, including access to supplies.

5

In addition, in the insulin market there is a definite resistance to changing insulin regimens, brands and products. One method to facilitate the change over for both the physician and the diabetic is to provide counselling and monitor the patient through the transition phase. The present invention provides an excellent solution for insulin  
10 manufacturers to support the launch of their new insulin products.

The technology of the present invention can also be applied in the field of pregnancies, where early risk identification combined with targeted patient education and support has proven to reduce the incidence of prenatal and maternal complications (for  
15 example, premature delivery, low birth weight and caesarean section) and the overall cost of maternal care. The present invention could be used to support physician and health plan goals for maternity care by providing comprehensive telephone-based maternal education, monitoring and counselling throughout pregnancy and after delivery. Use of the present invention could help to reduce the incidence of premature delivery and caesarean sections,  
20 reduce the number of low birth weight babies and neonatal intensive care admissions and improve physician and health care member satisfaction.

These examples are meant to be illustrative and not limiting. The present invention has been described by way of example, and modifications and variations of the exemplary  
25 embodiments will suggest themselves to skilled artisans in this field without departing from the scope of the invention. Features and characteristics of the above-described embodiments may be used in combination. The preferred embodiments are merely illustrative and should not be considered restrictive in any way. The scope of the invention is to be measured by the appended claims, rather than the preceding description, and all  
30 variations and equivalents that fall within the range of the claims are intended to be embraced therein.

CLAIMS

1. A system for monitoring and assisting in the treatment of a patient, independent of the location of the patient, comprising:
  - 5 a monitoring centre;
  - a meter for measuring the level of an analyte in said patient; and
  - a communications device adapted for communication with said monitoring centre and said meter, wherein said communications device is adapted to transmit information related to said analyte level in said patient to said monitoring centre.
- 10 2. The system of claim 1, wherein said patient is a diabetic patient, said analyte is glucose and said meter is a glucose meter.
3. The system of claim 1 or claim 2, wherein said communications device is a  
15 wireless communications device.
4. The system of claim 1 or claim 2, wherein said communications device transmits information via the internet.
- 20 5. The system of any preceding claim, wherein said monitoring centre stores said information related to an analyte level in a database.
6. The system of any preceding claim, wherein said monitoring centre stores patient-related information regarding the patient in the database.
- 25 7. The system of claim 6, wherein said monitoring centre stores diabetes-related information regarding a diabetic patient in the database.
8. The system of any preceding claim, further comprising a caretaker communications  
30 device, allowing a caretaker of said patient to access the database.
9. The system of claim 8, wherein the monitoring centre notifies said caretaker in case of an emergency by means of the caretaker communications device.

10. The system of any preceding claim, further comprising:  
a counselling centre for providing assistance to said patient by means of said communications device.
- 5
11. The system of claim 10, wherein said counselling centre notifies emergency services if a dangerous analyte level is read by the meter.
12. The system of any preceding claim, further comprising a health program  
10 transmitted to said patient from said monitoring centre by means of said communications device.
13. The system of any preceding claim, further comprising a retail store, wherein said monitoring centre transmits advertising messages from said retail store to said patient.
- 15
14. The system of any preceding claim, further comprising a retail store, wherein said monitoring centre transmits information relating to products from said retail store to said patient.
- 20 15. The system of any preceding claim, wherein said communications device automatically contacts emergency services if the information related to an analyte level reveals a dangerous condition in the patient.
16. A method for monitoring and assisting in the treatment of a patient, independent of  
25 the location of the patient, said method comprising:  
providing a monitoring centre;  
providing a meter accessible to the patient including a capacity to measure and convey information related to an analyte level detected in said patient;  
providing a communications device in communication with the meter and the  
30 monitoring centre;  
transmitting to said monitoring centre information relating to the analyte level in said diabetic patient; and  
providing a treatment recommendation to the patient.

17. The method of claim 16, wherein the patient is a diabetic patient, the meter is a glucose meter and the analyte is glucose.
- 5 18. The method of claim 16 or 17, wherein said communications device is a wireless communications device.
19. The method of any of claims 16 to 18, further comprising transmitting to said monitoring centre information relative to treatment received by said patient.
- 10 20. The method of any of claims 16 to 19, wherein the communications device communicates with a second communications device of a caretaker to transmit said information related to said analyte level to the caretaker.
- 15 21. The method of claim 20, wherein said second communications device is a wireless communications device.
22. The method of any of claims 16 to 21, wherein a caretaker can access the monitoring centre to supervise or verify the information related to said analyte level.
- 20 23. The method of any of claims 16 to 22, wherein the communications device contacts an emergency response service if the information related to said analyte level reveals a dangerous condition in the patient.
- 25 24. The method of any of claims 16 to 23, further comprising a step of transmitting advertising messages to the patient from a retailer through the communications device.
25. The method of any of claims 16 to 24, further comprising a step of transmitting news to the patient through the communications device.
- 30 26. A device capable of receiving and transmitting an analyte level measurement of a patient, comprising:

a communications device configured to receive the analyte level of the patient from a meter and transmit the analyte level of the patient to a remote monitoring centre.

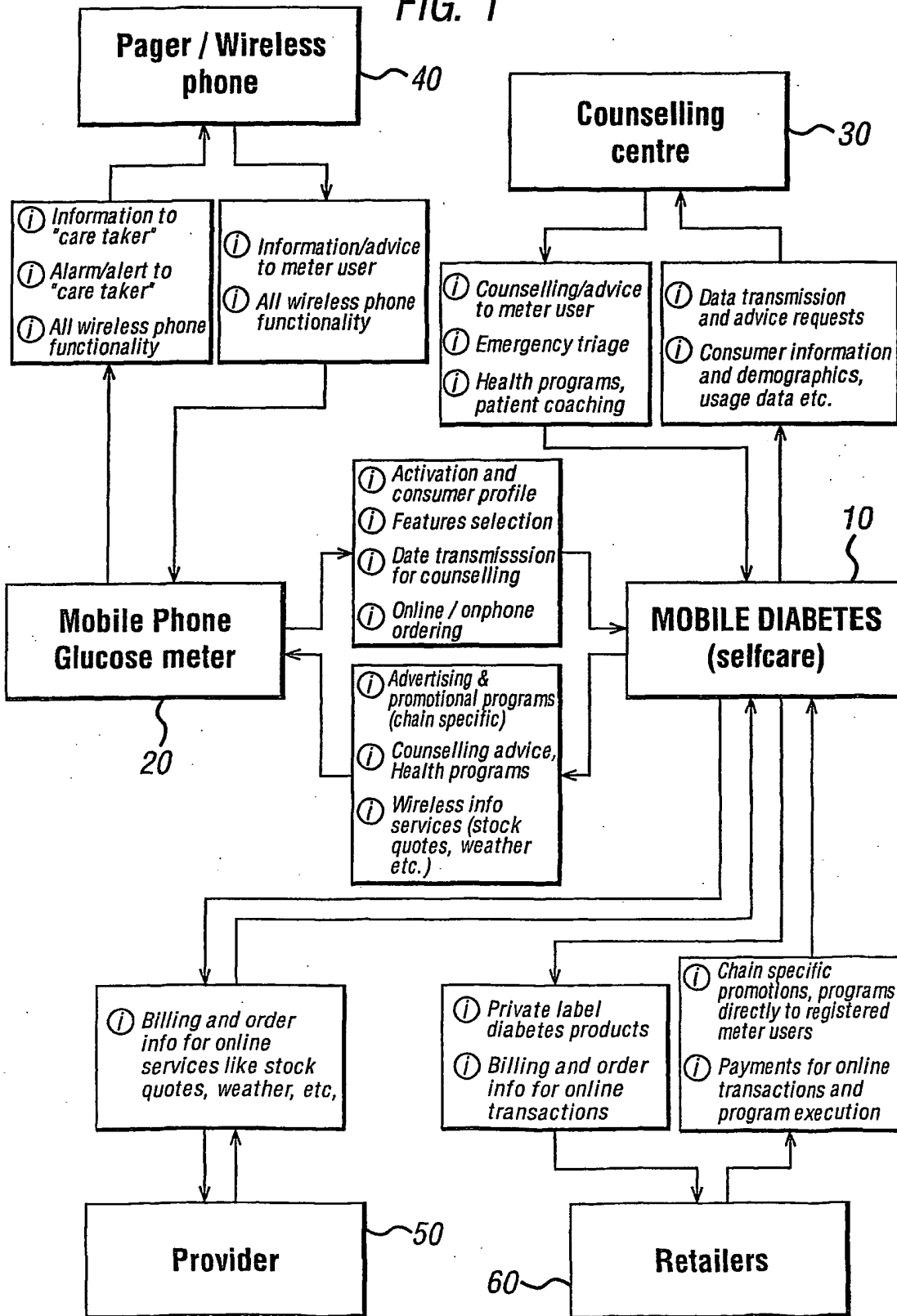
27. The device of claim 26, wherein the patient is diabetic, the analyte is glucose and  
5 the meter is a glucose meter.

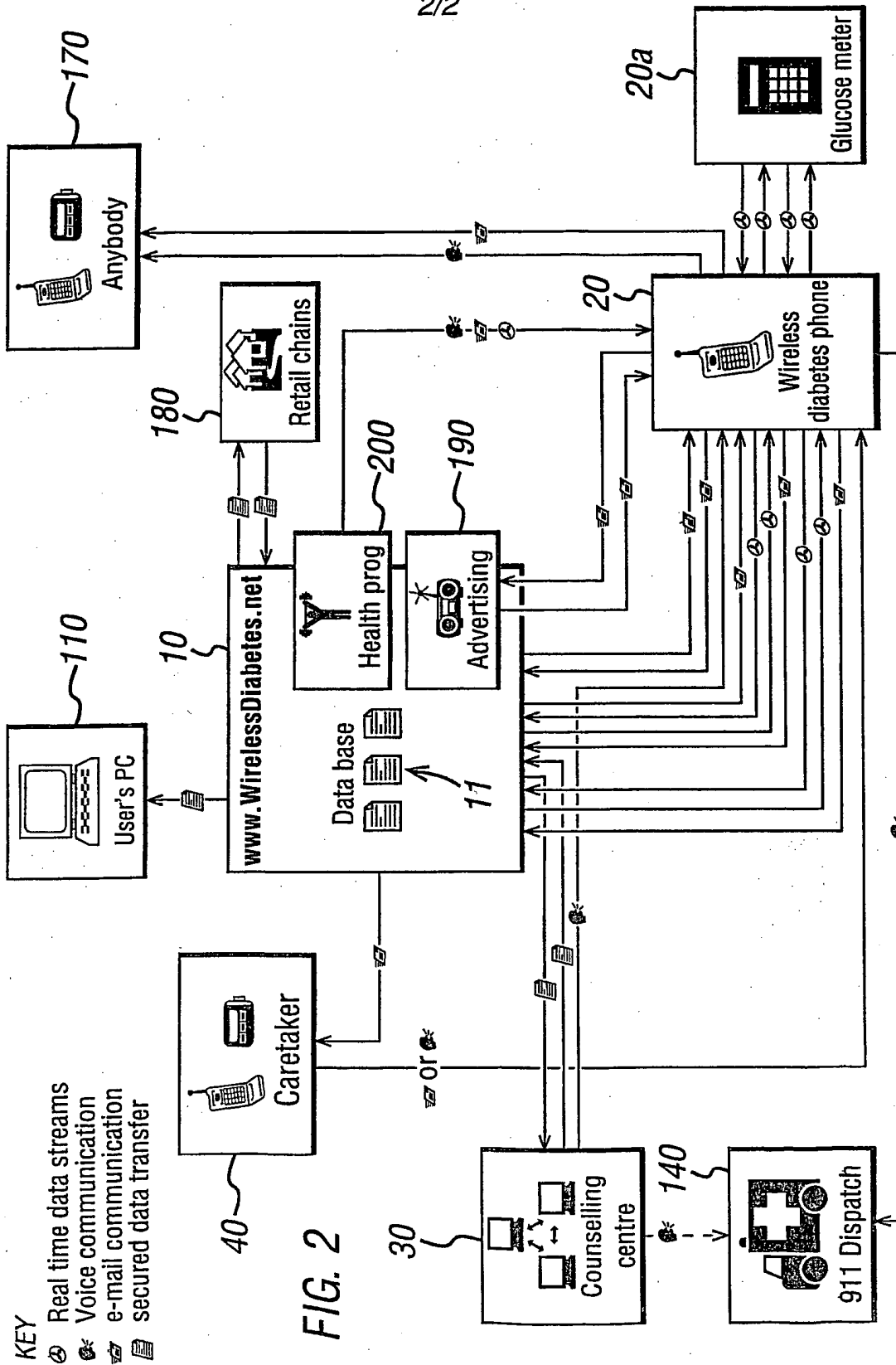
28. The device of claims 26 or claim 27 wherein the communications device is a wireless communications device.

10 29. The device of any of claims 26 to 28, wherein the communications device includes an alarm for notifying an emergency service if said analyte level is outside of a predetermined range.

30. The device of any of claims 26 to 29, wherein the communications device includes  
15 storage for storing analyte level measurements of the patient.

1/2  
FIG. 1







INTERNATIONAL SEARCH REPORT

Internal Application No  
PCT/GB 02/03841

<b>A. CLASSIFICATION OF SUBJECT MATTER</b> IPC 7 A61B5/00		
According to International Patent Classification (IPC) or to both national classification and IPC		
<b>B. FIELDS SEARCHED</b>		
Minimum documentation searched (classification system followed by classification symbols) IPC 7 A61B		
Documentation searched other than minimum documentation to the extent that such documents are included in the fields searched		
Electronic data base consulted during the International search (name of data base and, where practical, search terms used) INSPEC, EPO-Internal		
<b>C. DOCUMENTS CONSIDERED TO BE RELEVANT</b>		
Category *	Citation of document, with indication, where appropriate, of the relevant passages	Relevant to claim No.
X	ORDONEZ A, RUBIO JL, SULLEIRO JM, ET AL.: "Use of a telemedicine device for the care of diabetic patients" PROGRAM AND ABSTRACTS OF THE 35TH ANNUAL MEETING OF THE EUROPEAN ASSOCIATION FOR THE STUDY OF DIABETES, SEPTEMBER 28-OCTOBER 2, 1999; BRUSSELS, BELGIUM, ABSTRACT 0228, 'Online! XP002227171 Retrieved from the Internet: <URL:http://www.diabetolognytt.nu/abstracts2000/228.pdf> 'retrieved on 2003-01-14! section "Materials and Methods"	1-3,5-7, 10-12, 26-28
A	--- -/--	4,8,9, 15,29,30
<input checked="" type="checkbox"/> Further documents are listed in the continuation of box C.		
<input checked="" type="checkbox"/> Patent family members are listed in annex.		
* Special categories of cited documents :		
*A* document defining the general state of the art which is not considered to be of particular relevance *E* earlier document but published on or after the international filing date *L* document which may throw doubts on priority claim(s) or which is cited to establish the publication date of another citation or other special reason (as specified) *O* document referring to an oral disclosure, use, exhibition or other means *P* document published prior to the international filing date but later than the priority date claimed		
*T* later document published after the international filing date or priority date and not in conflict with the application but cited to understand the principle or theory underlying the invention *X* document of particular relevance; the claimed invention cannot be considered novel or cannot be considered to involve an inventive step when the document is taken alone *Y* document of particular relevance; the claimed invention cannot be considered to involve an inventive step when the document is combined with one or more other such documents, such combination being obvious to a person skilled in the art. *8* document member of the same patent family		
Date of the actual completion of the international search 14 January 2003		Date of mailing of the international search report 29/01/2003
Name and mailing address of the ISA European Patent Office, P.B. 5818 Patentlaan 2 NL - 2280 HV Rijswijk Tel. (+31-70) 340-2040, Tx. 31 651 epo nl, Fax: (+31-70) 340-3016		Authorized officer Knüpling, M

## INTERNATIONAL SEARCH REPORT

 Internat. Application No.  
 PCT/GB 02/03841

C.(Continuation) DOCUMENTS CONSIDERED TO BE RELEVANT		
Category *	Citation of document, with indication, where appropriate, of the relevant passages	Relevant to claim No.
X	US 5 772 586 A (OKKONEN HARRI ET AL) 30 June 1998 (1998-06-30)  column 2, line 61 - line 67 column 3, line 56 -column 4, line 24 column 4, line 45 - line 47 column 5, line 40 - line 41	1-3, 5-10,12, 26-28
A	column 5, line 62 - line 65	9
X	EP 0 880 936 A (AKAI KOJI) 2 December 1998 (1998-12-02)  column 4, line 36 -column 5, line 1 column 7, line 1 - line 21 column 9, line 2 - line 9	1-3,5, 10,12, 15,26-30
A	column 9, line 37 -column 10, line 2	6-9
X	WO 01 28414 A (CHO OK KYUNG; KAUFMANN KIM YUN OAK (DE)) 26 April 2001 (2001-04-26) page 6, line 1 - line 8 page 14, line 16 -page 15, line 4 page 15, line 19 - line 21 page 19, line 31 -page 20, line 7	1-4,10, 11,26-28
X	WO 01 52014 A (HEALTH PERFORMANCE INC) 19 July 2001 (2001-07-19)  page 4, line 14 - line 15 page 5, line 2 - line 5 page 6, line 29 - line 32 page 7, line 13 - line 30	1,2,4, 12-14, 26,27
X	WO 01 52727 A (MINIMED INC) 26 July 2001 (2001-07-26) page 18, line 8 - line 12 page 19, line 1 - line 4	1-3,15, 26-30
A		

# INTERNATIONAL SEARCH REPORT

International application No.  
PCT/GB 02/03841

## Box I Observations where certain claims were found unsearchable (Continuation of item 1 of first sheet)

This International Search Report has not been established in respect of certain claims under Article 17(2)(a) for the following reasons:

1.  Claims Nos.: 16-25  
because they relate to subject matter not required to be searched by this Authority, namely:  
Rule 39.1(1v) PCT - Diagnostic method practised on the human or animal body
2.  Claims Nos.:  
because they relate to parts of the International Application that do not comply with the prescribed requirements to such an extent that no meaningful International Search can be carried out, specifically:
3.  Claims Nos.:  
because they are dependent claims and are not drafted in accordance with the second and third sentences of Rule 6.4(a).

## Box II Observations where unity of invention is lacking (Continuation of item 2 of first sheet)

This International Searching Authority found multiple inventions in this International application, as follows:

1.  As all required additional search fees were timely paid by the applicant, this International Search Report covers all searchable claims.
2.  As all searchable claims could be searched without effort justifying an additional fee, this Authority did not invite payment of any additional fee.
3.  As only some of the required additional search fees were timely paid by the applicant, this International Search Report covers only those claims for which fees were paid, specifically claims Nos.:
4.  No required additional search fees were timely paid by the applicant. Consequently, this International Search Report is restricted to the invention first mentioned in the claims; it is covered by claims Nos.:

Remark on Protest

- The additional search fees were accompanied by the applicant's protest.
- No protest accompanied the payment of additional search fees.

## INTERNATIONAL SEARCH REPORT

Information on patent family members

International Application No

PCT/GB 02/03841

Patent document cited in search report		Publication date	Patent family member(s)	Publication date
US 5772586	A	30-06-1998	FI 960636 A	13-08-1997
			AU 1726697 A	28-08-1997
			EP 0959755 A1	01-12-1999
			WO 9728736 A1	14-08-1997
			JP 2000504597 T	18-04-2000
EP 0880936	A	02-12-1998	JP 10328170 A	15-12-1998
			JP 11104088 A	20-04-1999
			EP 0880936 A2	02-12-1998
WO 0128414	A	26-04-2001	WO 0128414 A2	26-04-2001
WO 0152014	A	19-07-2001	AU 2905101 A	24-07-2001
			WO 0152014 A2	19-07-2001
WO 0152727	A	26-07-2001	AU 2959601 A	31-07-2001
			EP 1250087 A1	23-10-2002
			WO 0152727 A1	26-07-2001
			US 2002002326 A1	03-01-2002